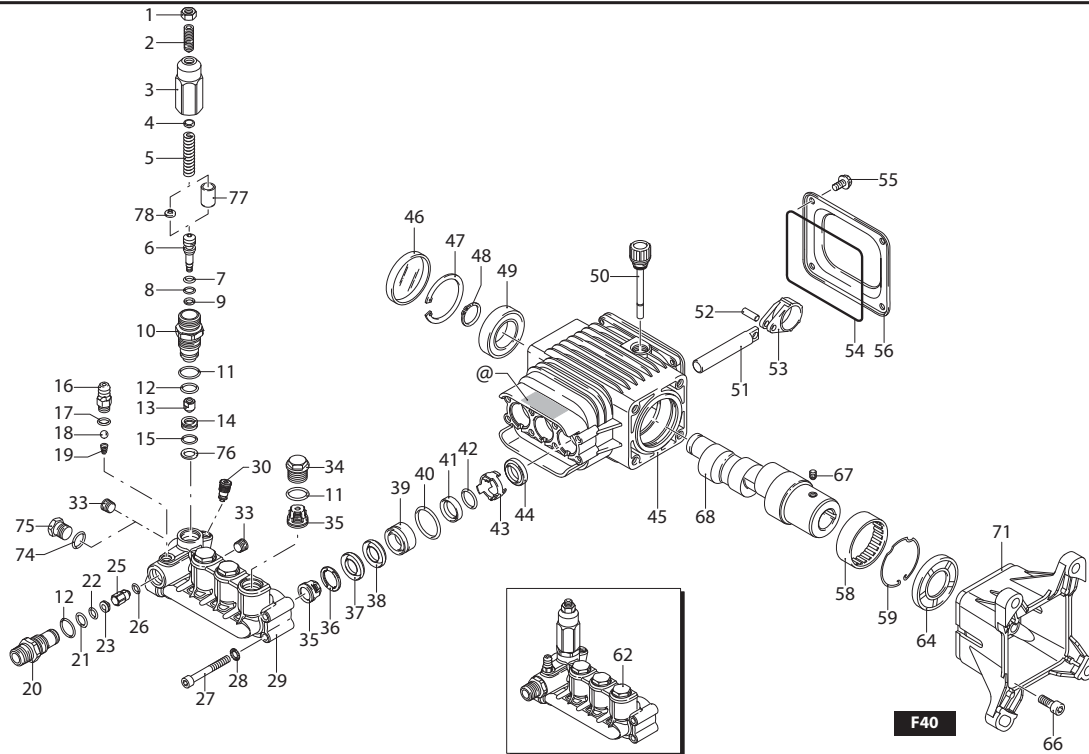
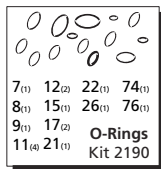
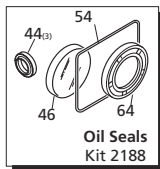
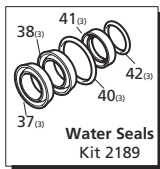
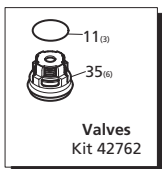


**1" SHAFT**



**Repair Kits**



Pos	Code	Description	Qty	Pos	Code	Description	Qty	Pos	Code	Description	Qty
1	1060120	Nut M6	1	38	1981580	Ring	3				
2	392840	Grub screw M6x16	1	39	1981570	Piston guide	3		AR64516	Oil	1
3	2760480	Insert	1	40	770260	O-Ring Ø23.52x1.78	3			OIL CAPACITY - 16 OZ	
4	1980220	Spring plate	1	41	1260440	Water seal	3				
5	2760410	Spring	1	42	640070	O-Ring Ø13.95x2.62	3				
6	2760400	Valve piston	1	43	2760310	Spacer	3				
7	2260100	O-Ring Ø6.02x2.62	1	44	1260460	Oil seal	3				
8	660190	O-Ring Ø6.07x1.78	1	45	2760010	Pump body	1				
9	2760210	Ring	1	46	1266740	Oil seal	1				
10	2760050	Piston guide	(309 in/lbs) 1	47	1260790	Circlip Ø152	1				
	2760960	Piston guide	(309 in/lbs) 1	48	1780550	Ring	1				
11	1200690	O-Ring Ø15.6x1.78	1	49	1780490	Bearing	1				
12	394280	O-Ring Ø12.42x1.78	2	50	880130	Oil cap	1				
13	2260070	By-pass jet	(18 in/lbs) 1	51	2760040	Piston	3				
14	2760980	Seat	1	52	1780050	Piston pin	3				
15	770140	O-Ring Ø11.11x1.78	1	53	1780040	Con-rod Aluminum	3				
16	1982520	Hose nipple	(35 in/lbs) 1	54	1780710	Con-rod Bronze	3				
17	480480	O-Ring Ø4.48x1.78	1	55	2760281	O-Ring	1				
18	1250280	Ball	1	56	820190	Bolt 6x12	(212 in/lbs) 4				
19	1560520	Spring	1	58	2760110	Rear cover	1				
20	2760230	Detergent injector 3/8" G	(354 in/lbs) 1	59	1321190	Bearing	1				
21	2760270	O-Ring Ø12x1	1	62	42546	Complete pump head w/o EZ start	1				
22	1470210	O-Ring Ø9x1	1		42527	Complete pump head EZ-start	1				
23	2760120	Injector insert	1	64	480671	Oil seal	1				
25	2760130	Jet	1	66	180030	Bolt M8x20	(217 in/lbs) 4				
26	2101770	O-Ring Ø4x2.5	1	67	820440	Set screw M6x6	1				
27	801080	Bolt M6x16	(92 in/lbs) 8	68	1780340	Hollow shaft Ø1"	1				
28	1381550	Lock washer	8		1780330	Hollow shaft Ø1"	1				
29	2761050	Head - Bare EZ-start	1		1780920	Hollow shaft Ø1"	1				
	2760330	Head - Bare w/o EZ-start	1	71	2760290	Flange F40	1				
30	42304	EZ Start Assembly	1	74	820510	O-Ring Ø10.82x1.78	1				
33	2760260	Plug 1/4" G	2	75	880581	Plug 1/4" G	1				
34	2769054	Valve cap Machined	3	76	2760640	Ring	1				
35	2761450	Complete valve	(442 in/lbs) 6	77	2760970	Bushing	1				
36	2760220	Ring	3	78	1980220	Spring plate	1				
37	1342761	Water seal	3								

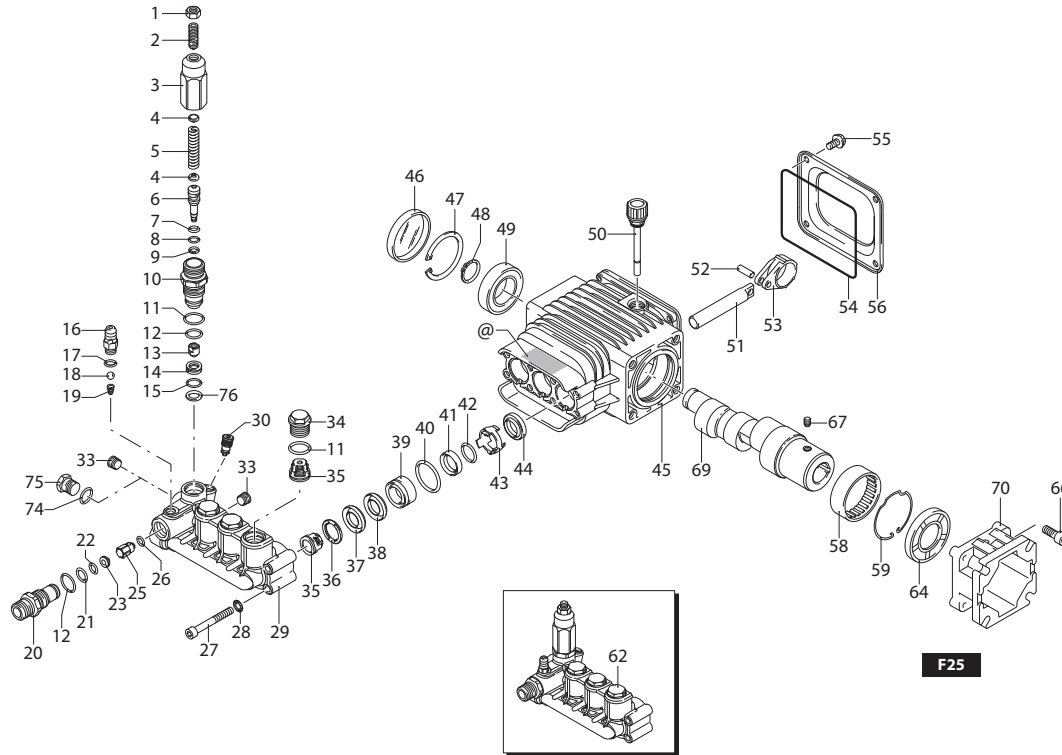
**Special Parts / Kits**

Code	Description	Qty
42304	EZ Start assembly	1
2280	Unloader kit up to 3200 PSI no knob with seat	1
42369	Unloader kit above 3200 PSI no knob with seat	1
42128	Unloader kit above 3200 PSI with knob without seat	1
42129	Unloader seat for 42128	1

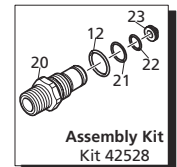
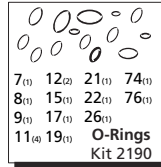
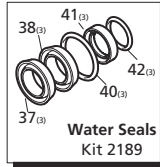
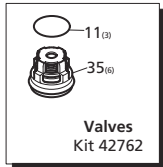
**Legend**

Ø 15	Ø 15	Ø 15	Ø 15
For ▲	For □	For ○	For ■
RSV3.5G35	RSV4G30	RSV3G30	RSV4G35
		For ●	RSV4G40
		RSV3G35	

**3/4" SHAFT**



**Repair Kits**



Pos	Code	Description	Qty	Pos	Code	Description	Qty	Pos	Code	Description	Qty
1	1060120	Nut M6	1	40	770260	O-Ring $\varnothing 23.52 \times 1.78$	3	<b>Special Parts / Kits</b>			
2	392840	Grub screw M6x16	1	41	1260440	Water seal	3				
3	2760480	Insert	1	42	640070	O-Ring $\varnothing 13.95 \times 2.62$	3	42304	EZ Start assembly	1	
4	1980220	Spring plate	2	43	2760310	Spacer	3	2280	Unloader kit up to 3200 PSI no knob with seat	1	
5	2760410	Spring	1	44	1260460	Oil seal	3	42369	Unloader kit above 3200 PSI no knob with seat	1	
6	2760400	Valve piston	1	45	2760010	Pump body	1	42128	Unloader kit above 3200 PSI with knob without seat	1	
7	2260100	O-Ring $\varnothing 6.02 \times 2.62$	1	46	1266740	Circlip $\varnothing i52$	1	42129	Unloader seat for 42128	1	
8	660190	O-Ring $\varnothing 6.07 \times 1.78$	1	47	1260790	Snap ring	1	<b>Legend</b>			
9	2760210	Ring	1	48	1780550	Ring	1				$\varnothing 15$
10	2760050	Piston guide	(309 in/lbs) 1	49	1780490	Bearing	1	For $\circ$	For $\blacksquare$		
11	1200690	O-Ring $\varnothing 15.6 \times 1.78$	4	50	880130	Oil cap	1	RSV2,5G25	RSV3G30		
12	394280	O-Ring $\varnothing 12.42 \times 1.78$	2	51	2760040	Piston	3	<b>Oil Capacity</b>			
13	2260070	By-pass jet	(17 in/lbs) 1	52	1780050	Piston pin	3				AR64516
14	2760980	Seat	1	53	1780040	Con-rod Aluminum	3	<i>OIL CAPACITY - 16 oz</i>			
15	770140	O-Ring $\varnothing 11.11 \times 1.78$	1	54	2760281	O-Ring $\varnothing 101.27 \times 2.62$	1	<b>Oil Capacity</b>			
16	1982520	Hose nipple	(35 in/lbs) 1	55	802190	Bolt 6x12	(71 in/lbs) 4				<b>Oil Capacity</b>
17	480480	O-Ring $\varnothing 4.48 \times 1.78$	1	56	2760110	Rear cover	1	<b>Oil Capacity</b>			
18	1250280	Ball	1	58	1321190	Bearing	1				<b>Oil Capacity</b>
19	1560520	Spring	1	59	1321080	Ring	1	<b>Oil Capacity</b>			
20	2760230	Detergent injector 3/8" G	(354 in/lbs) 1	62	42546	Head assembly w/o EZ Start	$\circ$ 1				<b>Oil Capacity</b>
21	2760270	O-Ring $\varnothing 12 \times 1$	1	62	42527	Head assembly w EZ Start	$\blacksquare$ 1	<b>Oil Capacity</b>			
22	1470210	O-Ring $\varnothing 9 \times 1$	1	64	480671	Oil seal	1				<b>Oil Capacity</b>
23	2760120	Injector insert	1	66	180030	Bolt M8x20	(217 in/lbs) 4	<b>Oil Capacity</b>			
25	2760130	Jet	1	67	80440	Set screw M6x6	1				<b>Oil Capacity</b>
26	2101770	O-Ring $\varnothing 4 \times 2.5$	1	69	1780600	Hollow Shaft $\varnothing 3/4"$	3GPM $\circ$ 1	<b>Oil Capacity</b>			
27	801080	Bolt M6x50	(92 in/lbs) 8	69	1780590	Hollow Shaft $\varnothing 3/4"$	2.5GPM $\blacksquare$ 1				<b>Oil Capacity</b>
28	1381550	Lock washer	8	70	1780580	Flange - F25	1	<b>Oil Capacity</b>			
29	2761050	Pump head bare EZ start	1	74	820510	O-Ring $\varnothing 10.82 \times 1.78$	1				<b>Oil Capacity</b>
29	2760330	Pump head bare w/o EZ start	1	75	880581	Plug 1/4" G	1	<b>Oil Capacity</b>			
30	42304	EZ Start Assembly	1	76	2760640	Ring	1				<b>Oil Capacity</b>
33	2760260	Plug 1/4" G	2	<b>Oil Capacity</b>							
34	2769054	Valve cap Machined	(442 in/lbs) 3								
35	2761450	Complete valve	6	<b>Oil Capacity</b>							
36	2760220	Support ring	3								
37	1342761	Water seal	3	<b>Oil Capacity</b>							
38	1981580	Ring	3								
39	981570	Piston guide	3	<b>Oil Capacity</b>							