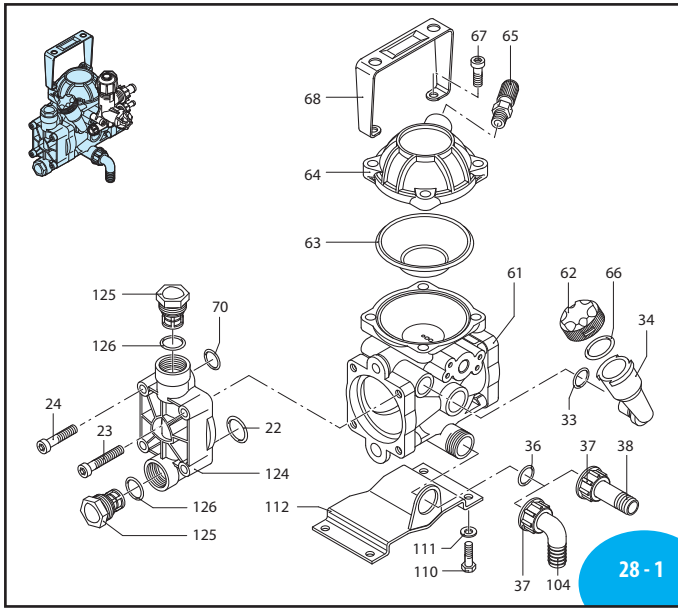
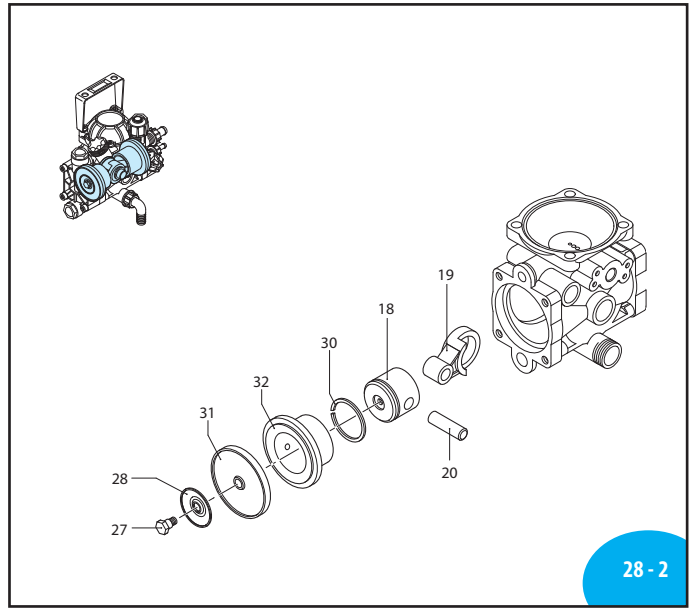


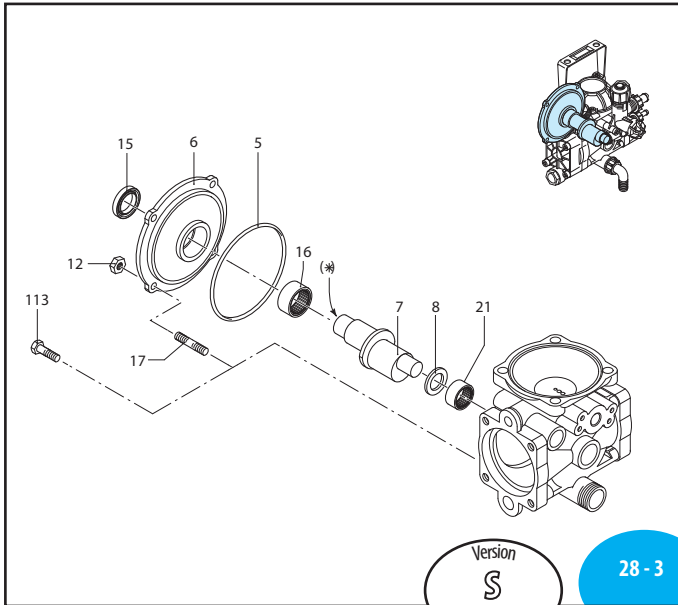
# A.R. NORTH AMERICA AR 252



28 - 1

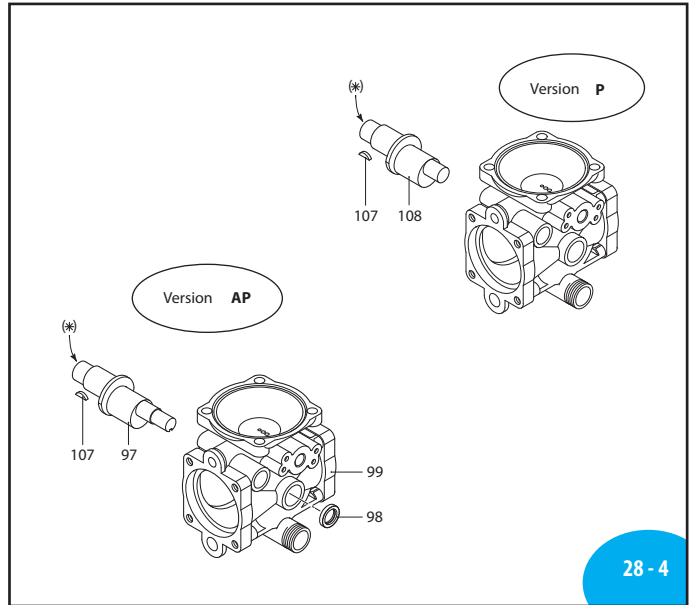


28 - 2



Version S

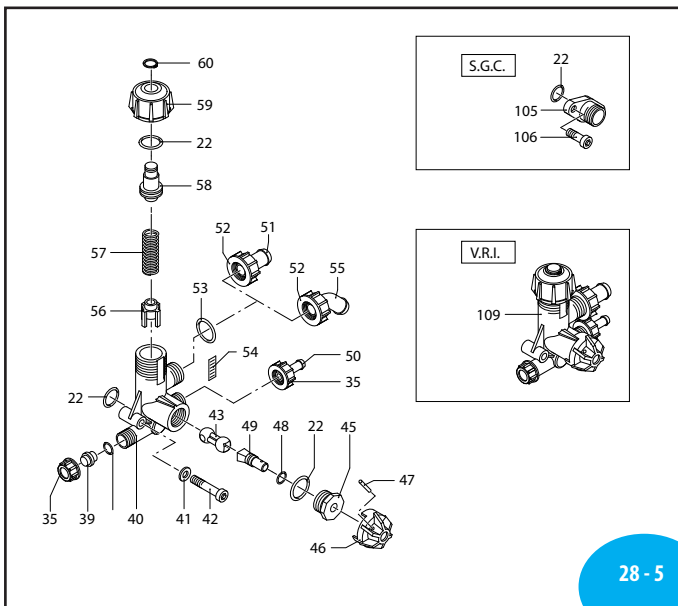
28 - 3



Version AP

Version P

28 - 4



S.G.C.

V.R.I.

28 - 5



# AR 252

Pos	Code	Discription	Qty	Note
5	800380	O-ring Ø 97x1.6	1	
6	800020	Flange	1	
7	800170	Shaft marked C	1	AR 252
8	800160	Spacer	1	
12	390440	Nut M6	4	
15	800200	Ring seal	1	
16	800180	Bushing	1	
17	550330	Stud	4	
18	802070	Piston Ø 42	2	T180*
19	800140	Connecting-rod	2	
20	800130	Pin	2	
21	480370	Bushing	1	
22	480440	O-ring Ø 17.13x2.62	5	
23	680360	Screw TCEI M8x50	1	T180*
24	800220	Screw TCEI M8x45	7	T180*
27	800090	Hub pin	2	
	800091	Hub pin	2	For Viton T180*
28	800350	Wobble plate	2	
30	802080	Piston ring	2	
31	800080	Diaphragm	2	NBR
	800081	Diaphragm	2	Viton
	800085	Diaphragm	2	Desmopan
	800086	Diaphragm	2	HPDS
	800082	Diaphragm	2	BlueFlex™
32	802050	Sleeve	2	AR 252
	802051	Sleeve	2	AR 252 (Viton)
33	740290	O-ring Ø 14x1.78	4	
34	801960	Tank	1	
35	800520	Ring nut	1	
36	390180	O-ring Ø 18.72x2.62	1	
37	550450	Ring nut 3/4" G	2	
38	800340	Hose tail 3/4"	1	
39	800540	Plug	1	
40	800400	Valve body	1	
41	550331	Washer	2	Z/B
42	800410	Screw TCEI M6x40	2	
43	800430	Valve	1	
45	800500	Ring nut	1	
46	800510	Knob	1	
47	390330	Pin	1	
48	800560	O-ring Ø 8.73x1.78	2	
49	800490	Hub pin	1	
50	800530	Pipe Ø 8	1	
51	800670	Pipe Ø 15	1	
52	800680	Ring nut M22x1.5	1	
53	740290	O-ring Ø 14x1.78	4	
54	800480	Plate	1	

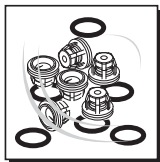
Pos	Code	Discription	Qty	Note
56	800440	Guide	1	
57	800450	Spring	1	
58	800460	Guide	1	
59	800470	Knob	1	
60	480550	Ring Circlip Ø e 12	1	290 PSI
61	800010	Pump body	1	
62	550057	Plug	1	
63	800190	Semi air chamber lower	1	Buna
	800191	Semi air chamber lower	1	Viton
	800192	Air chamber Diaphragm	1	BlueFlex™
64	800230	Halfball upper	1	Black
	800232	Halfball upper	1	Red
65	800650	Air valve	1	
66	550040	O-ring Ø 26.65x2.62	1	
67	540290	Screw TCEI M8x25	4	T205*
68	800390	Knob	1	
70	800210	O-ring Ø 13.10x2.62	2	
97	800173	Shaft marked F	1	AR 252
98	800960	Ring seal	1	
99	800011	Pump body	1	
104	550460	Elbow 3/4"	2	
105	800692	Flange	1	
106	880280	Screw TCEI M6x18	2	
107	800590	Key	1	
108	800171	Shaft marked D	1	AR 252
109	1912	Regulating valve	1	290 PSI
110	180431	Screw TE M8x16	2	T205*
111	380241	Washer	2	
112	800311	Foot	1	
113	320350	Screw TE M6x12	4	T90*
124	801940	Head	2	
125	809060	Complete valve	4	
126	880830	O-ring Ø 15.54x2.62	4	

\* Torque: in-lbs +/- 10%

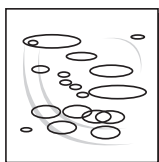
Medium pressure



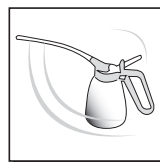
AR 43278 Buna diaphragms	
AR 43281 BlueFlex™ diaphragms	
AR 43279 Desmopan diaphragms	
Pos.	Qty
22	2
31	2
63	1
70	2
126	4



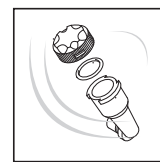
AR 2408 Valves	
Pos.	Qty
125	4
126	4



AR 2409 O-Rings			
Pos.	Qty	Pos.	Qty
5	1	135	1
22	5	145	1
33	4		
36	1		
48	2		
53	1		
66	1		
70	2		
126	4		
133	1		



Suggested Oil	
Type	Oz
AR64516	16
Crankcase Oil Capacity 13 oz	



AR 1797 Sight Glass	
Pos.	Qty
34	1
62	1
66	1