

Plunger Pumps

FEATURING

MANIFOLD: High strength forged brass for long term use.

BOLTS: Three 10mm grade 8.8.

PISTONS: Polished stainless steel for longer pump life in harsh environments.

CRANKCASE: Precision die-cast, large cooling fins for maximum heat dissipation.

BEARINGS: Angular contact ball bearing stabilizes the crankshaft and one thrust needle bearing absorbs the plunger load and assure long radial plate life. All of the thrust plates are made of heat treated hardened steel for extended life.

VALVES, SEATS, AND SPRINGS: Stainless steel with specially designed Ultra Form cages provide extra long life and positive seating.

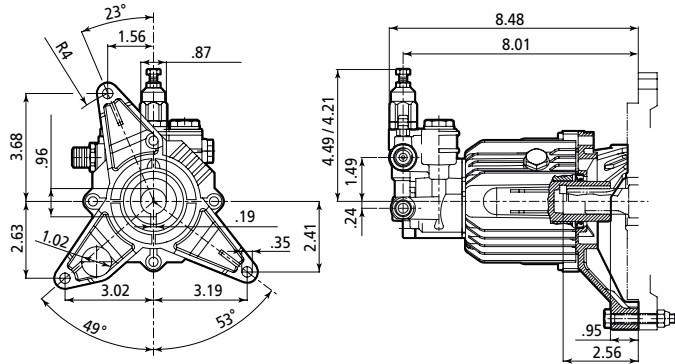
SEALS AND V-PACKINGS: Continuously lubricating for extended life.

UNLOADER: Built in to optimize performance while reducing setup time. Integral trap pressure, fixed or adjustable chemical injector.

DIMENSIONS



XJW-E D version + F27
Hollow shaft pump ϕ 7/8"



SPECIFICATIONS

MODEL	MAX GPM	MAX LMP	MAX PSI	MAX BAR	POWER EBHP	BORE DIA MM	STROKE MM	CRANKSHAFT ID STAMP	WEIGHT LBS.
XJW-E2G22D-F27	2.0	7.6	2200	150	3.0	15	4.8		11
XJW-E2.5G22D-F27	2.5	9.5	2200	150	3.7	15	5.8		11
XJW-E3G22D-F27	3.0	11.4	2200	150	4.5	15	6.8		11

Oil Capacity = 4.5 oz

Maximum Fluid Temperature = 140° F

Inlet Thread = 1/2" M

Discharge Thread = 3/8" M

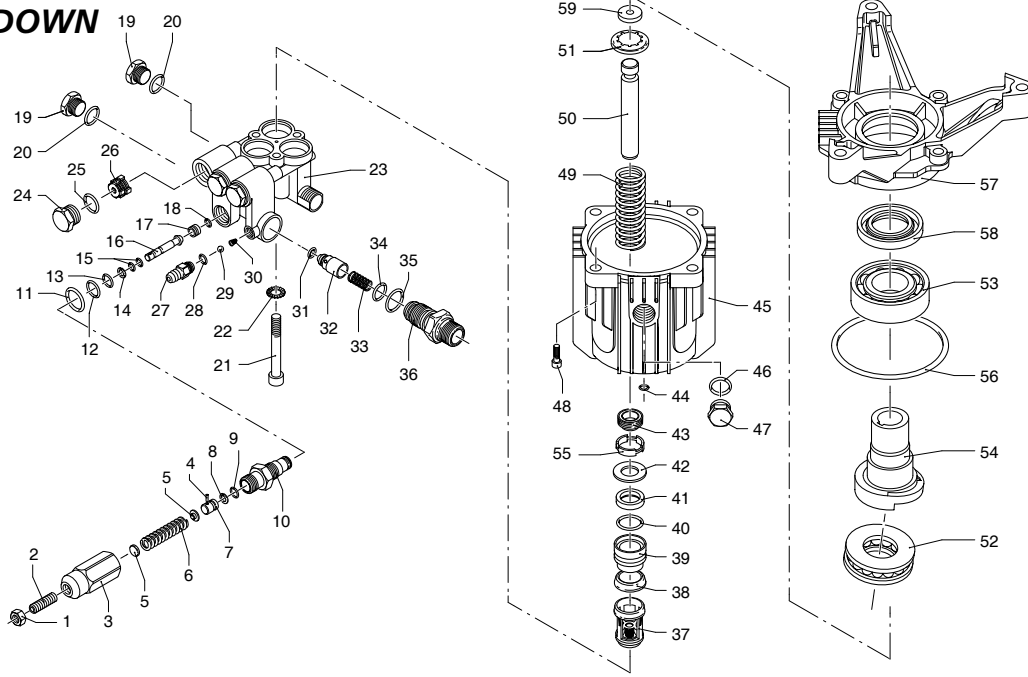
Torque Specifications Inch pounds (ft. lbs)

HEAD	PISTON NUT	REAR COVER	SIDE COVER	VALVE CAP	CON RODS
443 (37)	N/A	228 (19)	N/A	400 (37)	N/A

SPECIAL NOTE: Use only AR64545 for the XJ/SJ/BK Series pumps only: Do NOT change oil. Use oil only to add if low. This oil is a specially formulated synthetic with special additives for the demands of the XJ, SJ and BK pump series. No other oil is factory approved for these pumps, and could result in pump failure.



PARTS BREAKDOWN



Pos.	Code	Description	Qty.
1	1980300	Nut	1
2	392840	Adjusting screw	1
3	1980540	Adjusting cap	1
4	1080070	Pin	1
5	1980220	Plate spring	2
6	1980520	Spring	1
7	1080041	Upper piston	1
8	1080401	Back-up ring	1
9	1080250	O-Ring	1
10	1980530	Piston guide	1
11	880830	O-Ring	1
12	740290	O-Ring	1
13	800560	O-Ring	1
14	1271170	Back-up ring	1
15	1080190	O-Ring	2
16	1271160	Lower piston	1
17	1980200	Piston seat	1
18	1470210	O-Ring	1
19	880581	Plug 1/4G	2
20	820510	O-Ring	2
21	1980310	Head bolt	3
22	650530	Washer	3
23	1981500	Pump head	1
24	1260162	Valve cap	3
25	960160	O-Ring	3
26	1989061	Complete valve	6
27	1560490	Chem barb	1
28	480480	O-Ring	1
29	1250280	Ball	1
30	1560520	Spring	1
31	1460430	O-Ring	1
32	1540170	Check valve	1
33	1080091	Spring	1
34	394280	O-Ring	1
35	1200690	O-Ring	1
36	1270141	Detergent injector	1
37	1989060	Complete valve	3
38	2460180	High pressure packing	3
39	1981470	Piston guide	3
40	770130	O-Ring	3
41	1260440	Low pressure seal	3
42	1980170	Seal retainer	3

Pos.	Code	Description	Qty.
43	1980410	Seal	3
44	770090	O-Ring	1
45	1980460	Crankcase	1
46	740290	O-Ring	1
47	1980740	Oil plug	1
48	180030	Bolt	4
49	1981140	Spring	3
50	1981440	Piston	3
51	1980150	Piston retainer (3 pc)	3
52	1982290	Bearing	1
53	161060	Bearing	1
54	1981630	Angle plate	1
54	1981640	Angle plate	1
54	1981880	Angle plate	1
55	1980430	Retainer	3
56	1980340	O-Ring	1
57	1981430	Flange	1
58	1981730	Seal	1
59	1981130	Plunger shoe	1

Legend		
For ○	For □	For ▼
XJW-E2G22	XJW-E2.5G22	XJW-E3G22

Repair Kits			
Water Seal Kit 2582	Valve Kit 2581	Pistons Kit 2593	Oil Seals Kit 2511
Pos. Qty.	Pos. Qty.	Pos. Qty.	Pos. Qty.
38 3	26 3	50 3	43 3
40 3	37 3		44 1
41 3			56 1
42 3			
55 3			

Unloader Kit Kit 2594			
Pos. Qty.	Pos. Qty.		
1 1	10 1		
2 1	11 1		
3 1	12 1		
4 1	13 1		
5 2	14 1		
6 1	15 2		
7 1	16 1		
8 1	17 1		
9 1	18 1		

